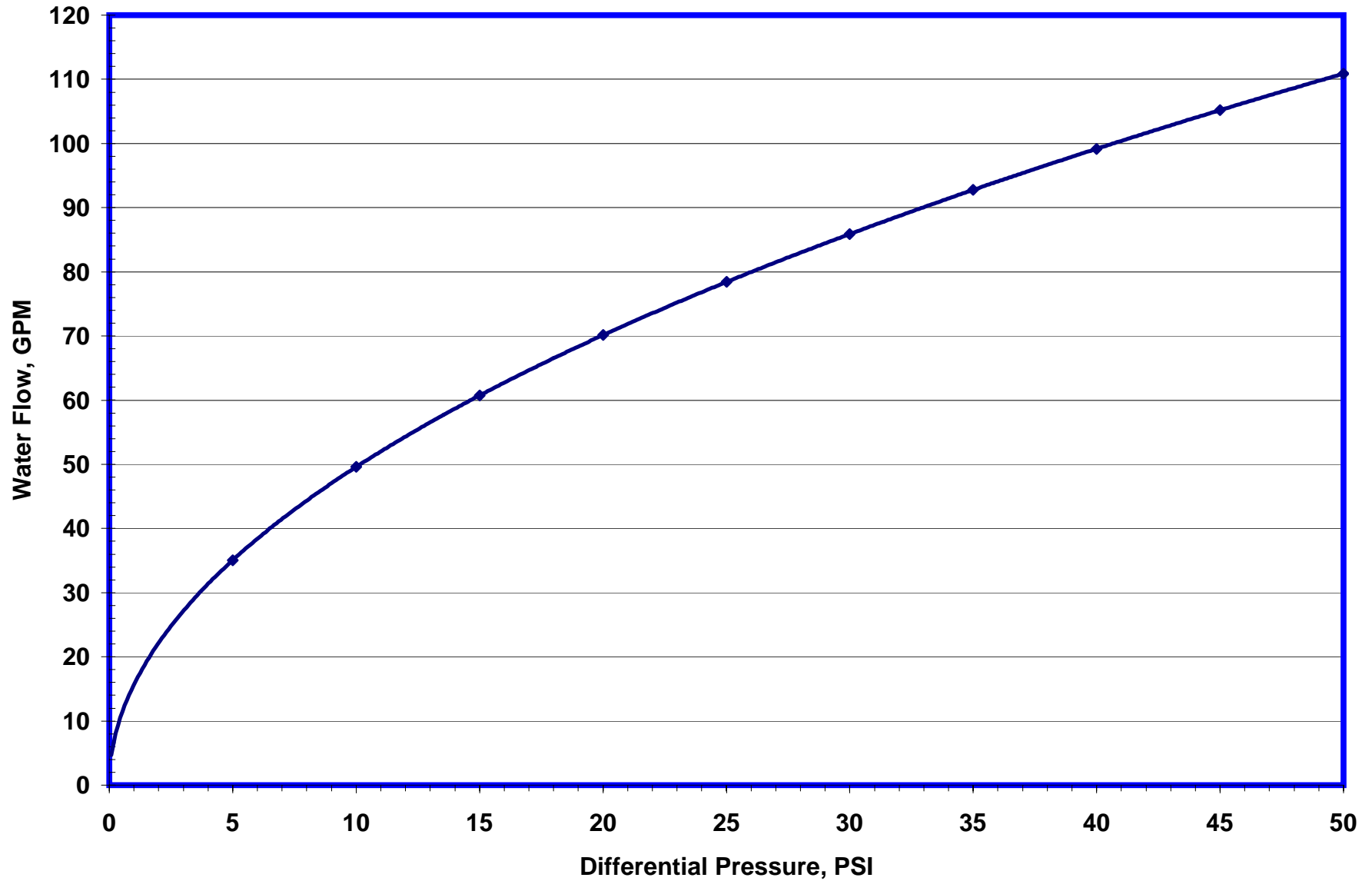
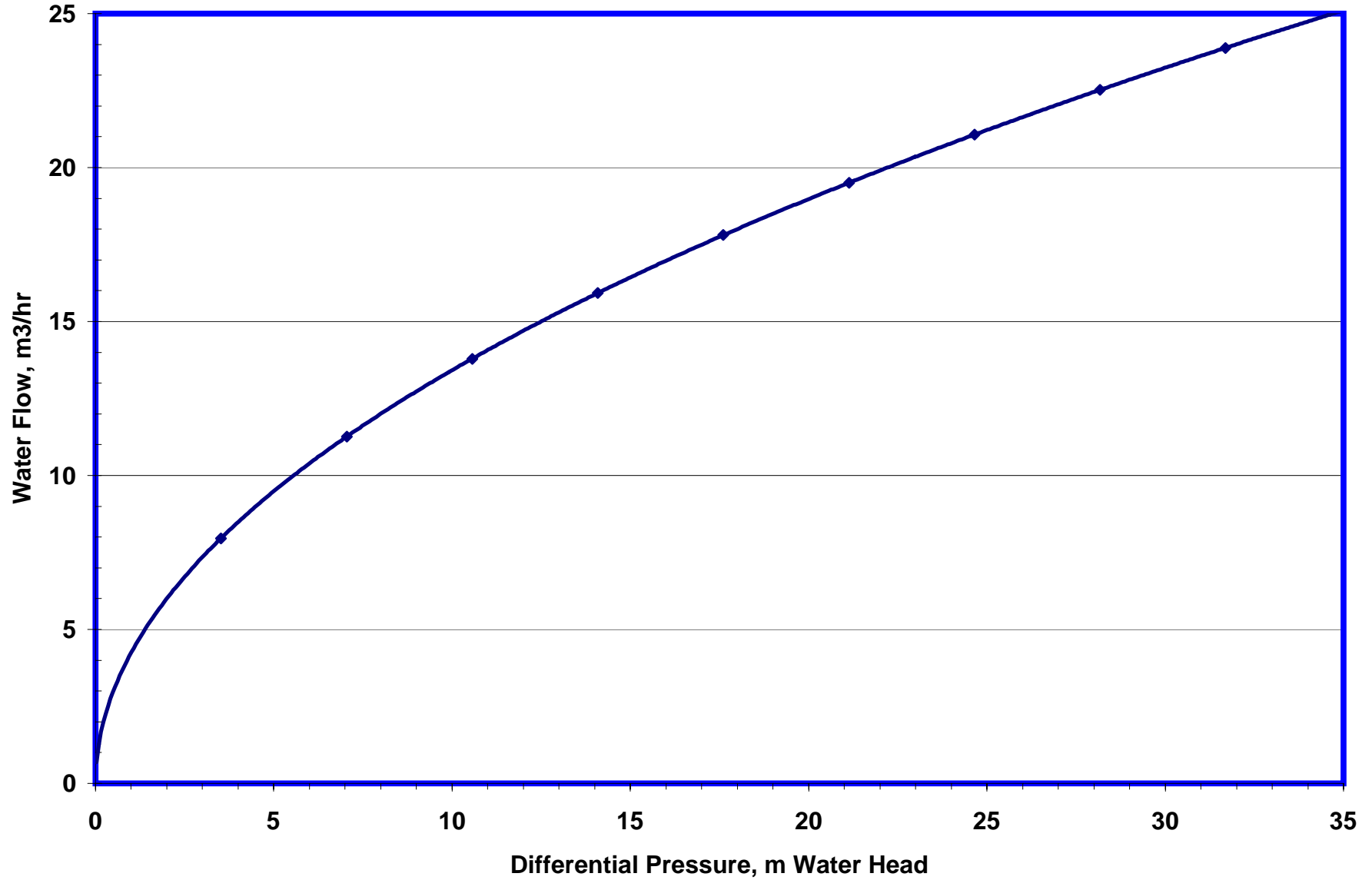


# Mazzei Injector Corp Mass Transfer Multiplier Nozzle Sizing MTM #22

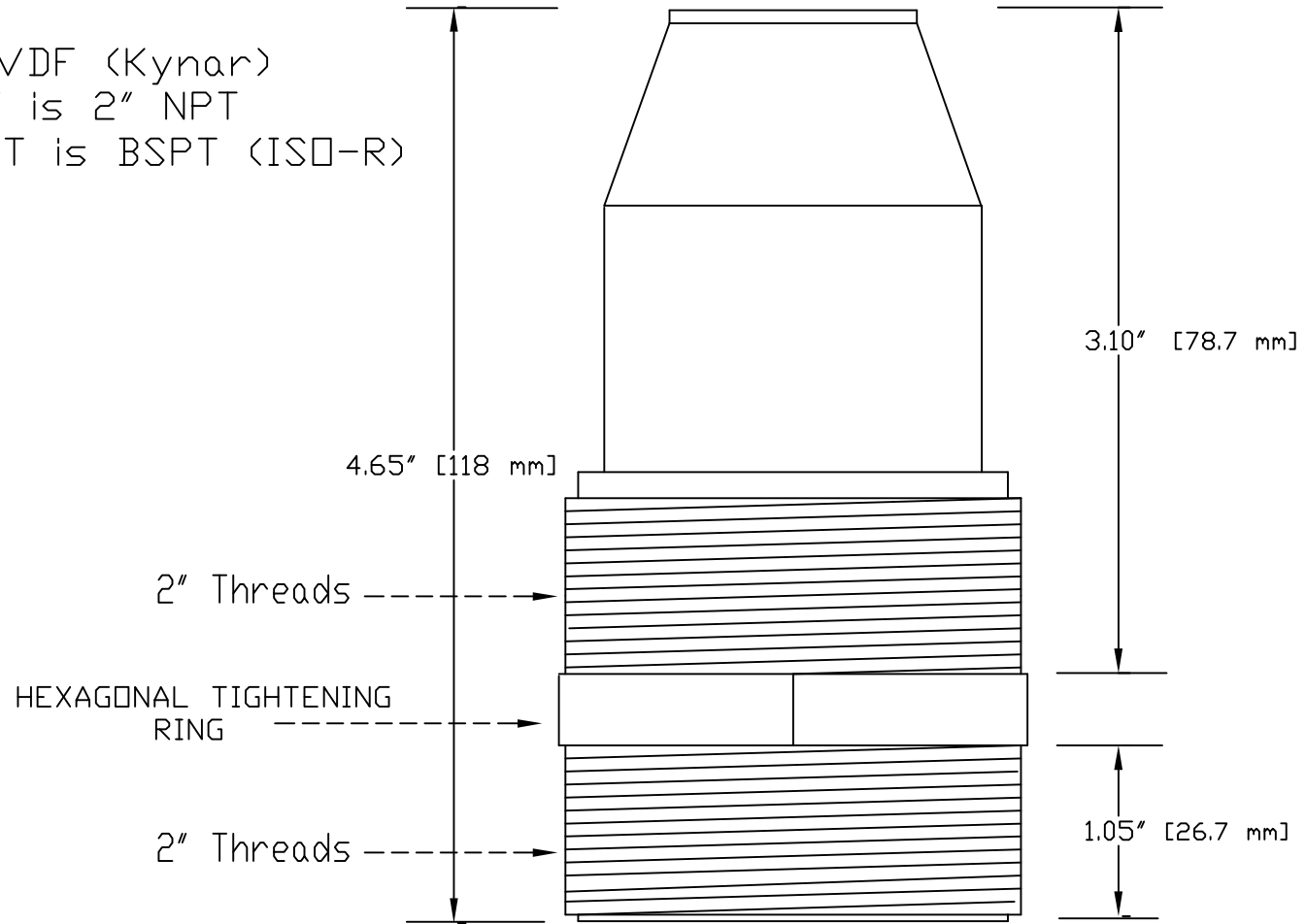


# Mazzei Injector Corp Mass Transfer Multiplier Nozzle Sizing MTM #22



NOTES:

1. Nozzles are of one piece construction
2. Made from PVDF (Kynar)
3. Model N22-DT is 2" NPT
4. Model N22M-DT is BSPT (ISO-R)



N22-DT & N22M-DT MIXING NOZZLES

Covered By United States Patent No. 5,894,995  
International Patents Pending



mazzei injector corporation  
Bakersfield, California, USA

DATE	1-4-01	TITLE	
DRAWN BY	JRM	N22-DT & N22M-DT MIXING NOZZLES	
REVIEWED BY		NUMBER	SIZE
SCALE	NONE	JRM-35	REV.
MATERIALS: SEE NOTES	REVISED 8/14/02 BY JRM	PAGE (1) OF (1)	