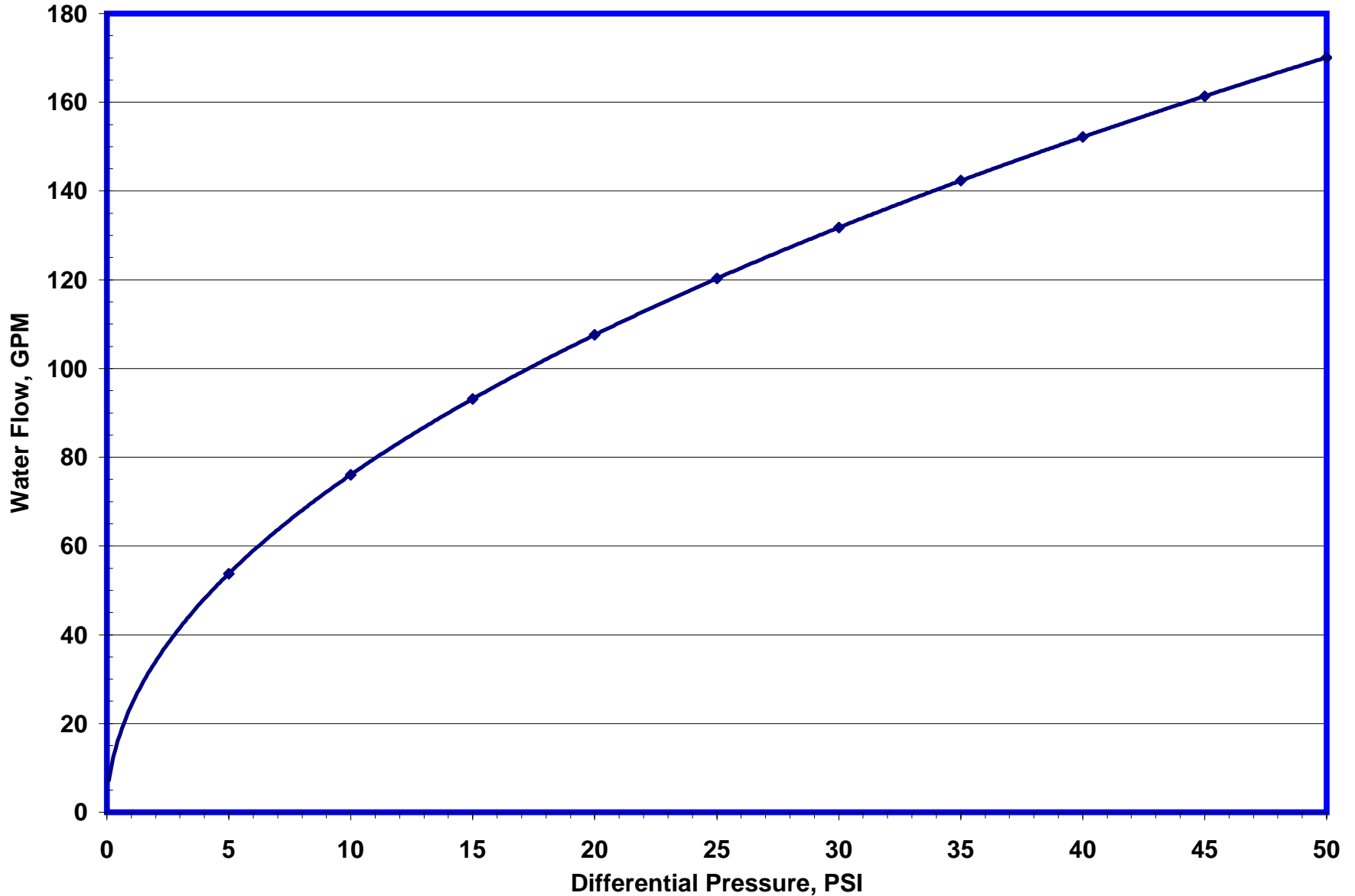
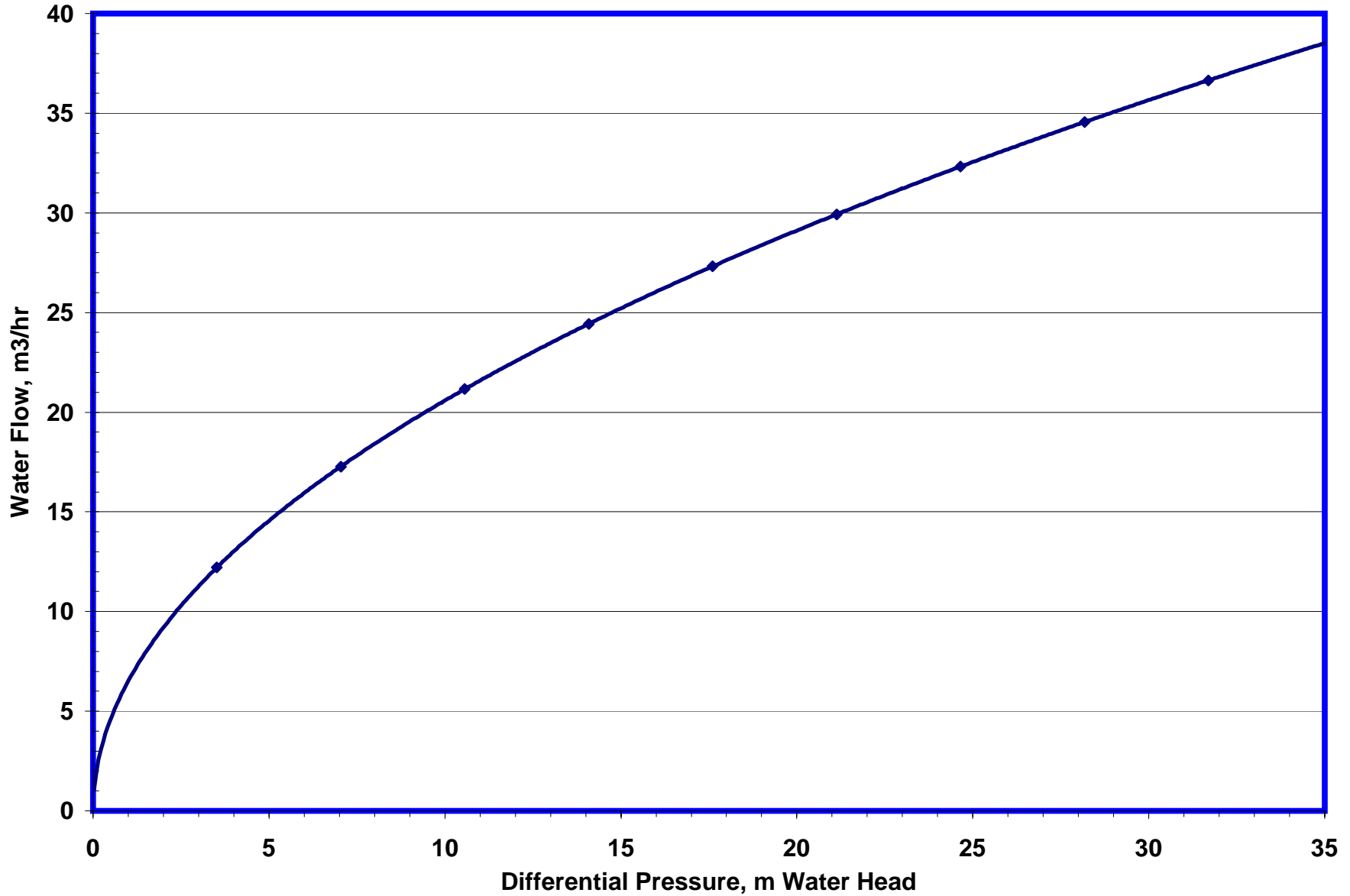


# Mazzei Injector Corp Mass Transfer Multiplier Nozzle Sizing MTM #25

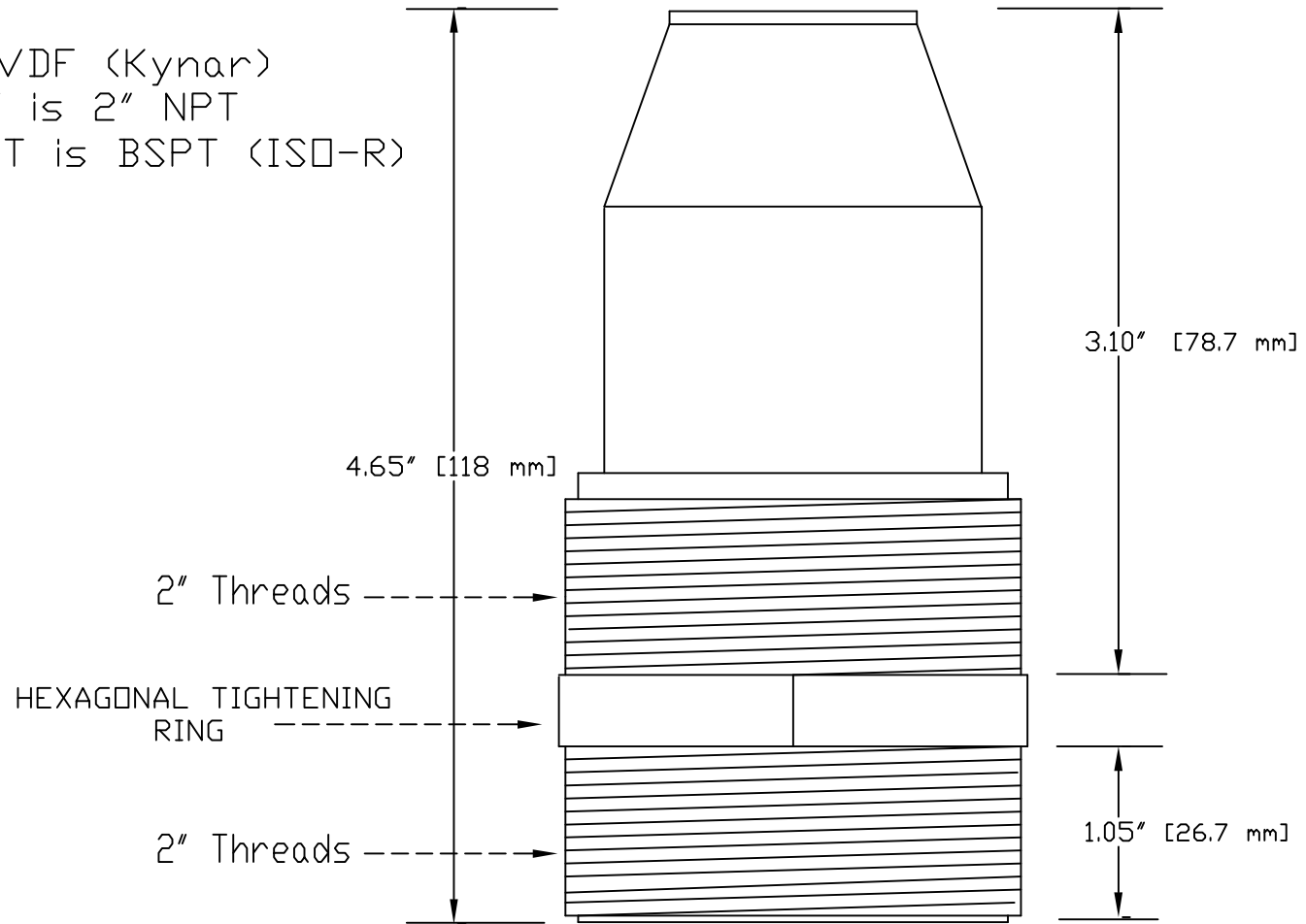


# Mazzei Injector Corp Mass Transfer Multiplier Nozzle Sizing MTM #25



NOTES:

1. Nozzles are of one piece construction
2. Made from PVDF (Kynar)
3. Model N25-DT is 2" NPT
4. Model N25M-DT is BSPT (ISO-R)



N25-DT & N25M-DT MIXING NOZZLES

Covered By United States Patent No. 5,894,995  
International Patents Pending



mazzei injector corporation  
Bakersfield, California, USA

|                      |                        |                                    |      |
|----------------------|------------------------|------------------------------------|------|
| DATE                 | 1-4-01                 | TITLE                              |      |
| DRAWN BY             | JRM                    | N25-DT & N25M-DT<br>MIXING NOZZLES |      |
| REVIEWED BY          |                        | NUMBER                             | REV. |
| SCALE                | NONE                   | JRM-36                             |      |
| MATERIALS: SEE NOTES | REVISED 8/14/02 BY JRM | PAGE (1) OF (1)                    |      |