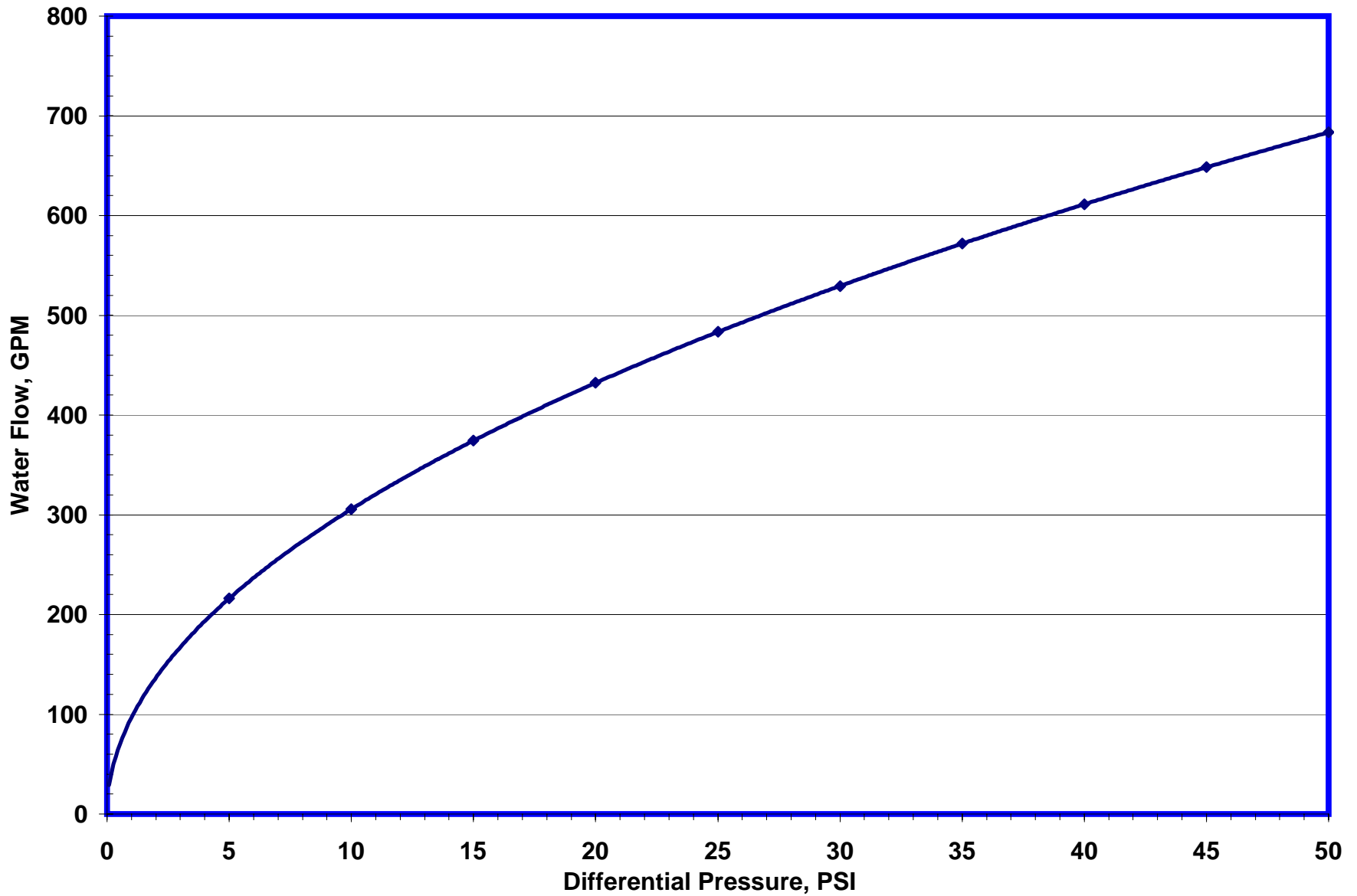
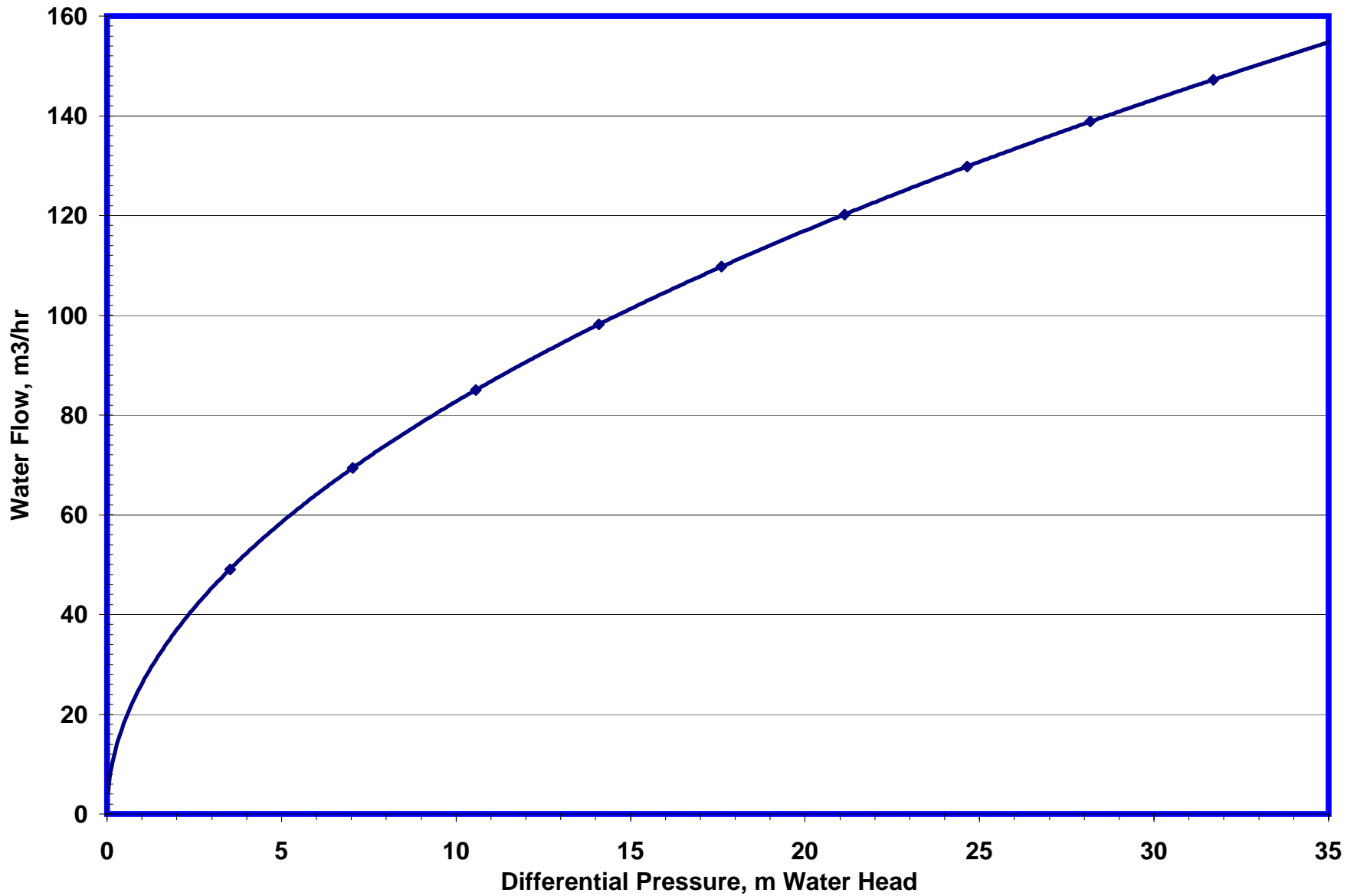


Mazzei Injector Corp Mass Transfer Multilpier Nozzle Sizing MTM #45

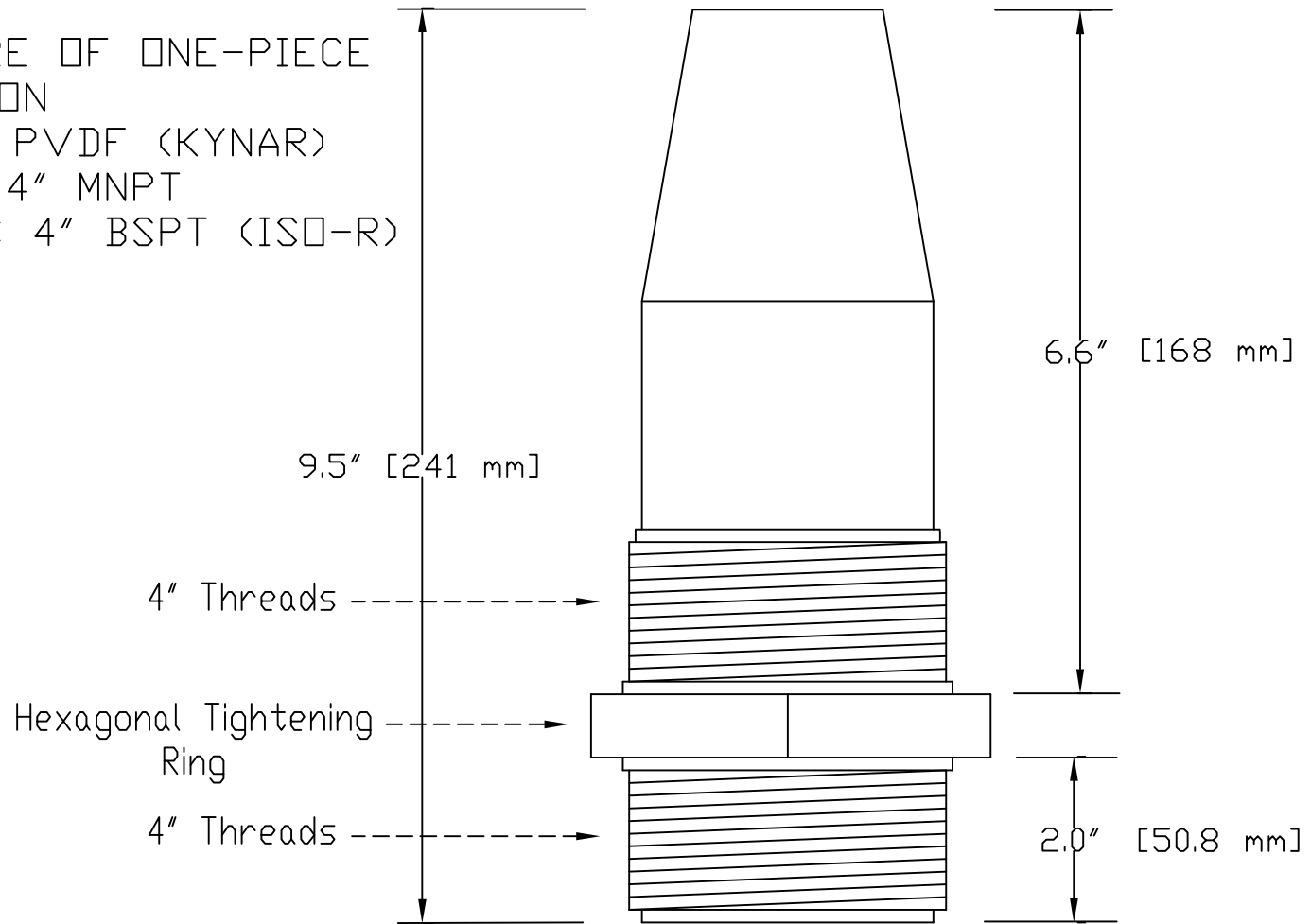


Mazzei Injector Corp Mass Transfer Multilpier Nozzle Sizing MTM #45




NOTES:

1. NOZZLES ARE OF ONE-PIECE CONSTRUCTION
2. MADE FROM PVDF (KYNAR)
3. N45-DT IS 4" MNPT
4. N45M-DT IS 4" BSPT (ISO-R)



N45-DT & N45M-DT MIXING NOZZLES

Covered By United States Patent No.
5,894,995
International Patents Pending

 mazzei injector corporation Bakersfield, California, USA	DATE	12-15-00	TITLE N45-DT & N45M-DT MIXING NOZZLES		
	DRAWN BY	JRM	NUMBER JRM-99	SIZE	REV.
	REVIEWED BY				
	SCALE	NONE	REVISED 8/14/2002 BY JRM		PAGE (1) OF (1)
MATERIALS: SEE NOTES					