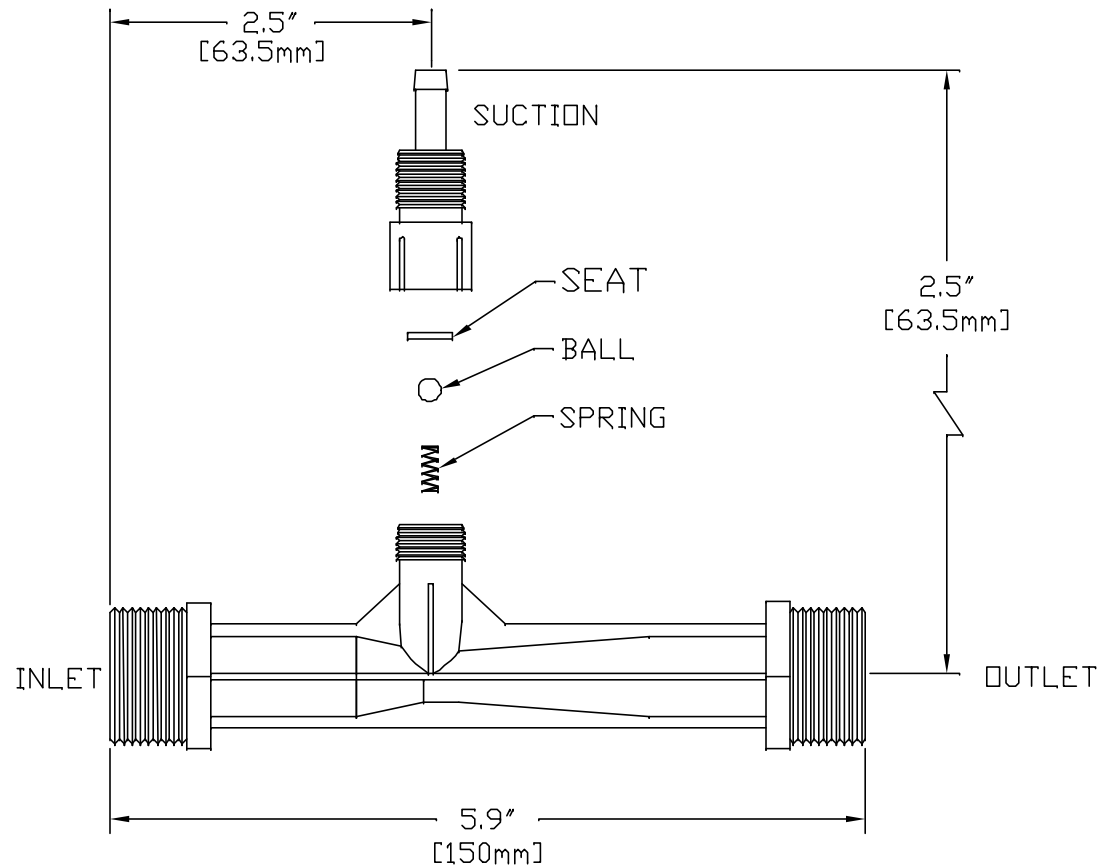


NOTES:

1. INLET AND OUTLET 3/4" MNPT OR BSPT (ISO-R)
2. SUCTION PORT: 1/4" (ID) TUBING PORT SHANK OR 1/4" MNPT
3. MATERIAL OF CONSTRUCTION: GLASS REINFORCED POLYPROPYLENE OR PVDF (KYNAR)
4. MAXIMUM TEMPERATURE RATING:
 - POLYPROPYLENE: 150 F. (65.5 C.)
 - PVDF: 200 F. (93.3 C.)
5. MAXIMUM PRESSURE RATING AT 68 F. (20 C.)
 - POLYPROPYLENE: 150 PSIG (10.3 BAR)
 - PVDF: 200 PSIG (13.8 BAR)



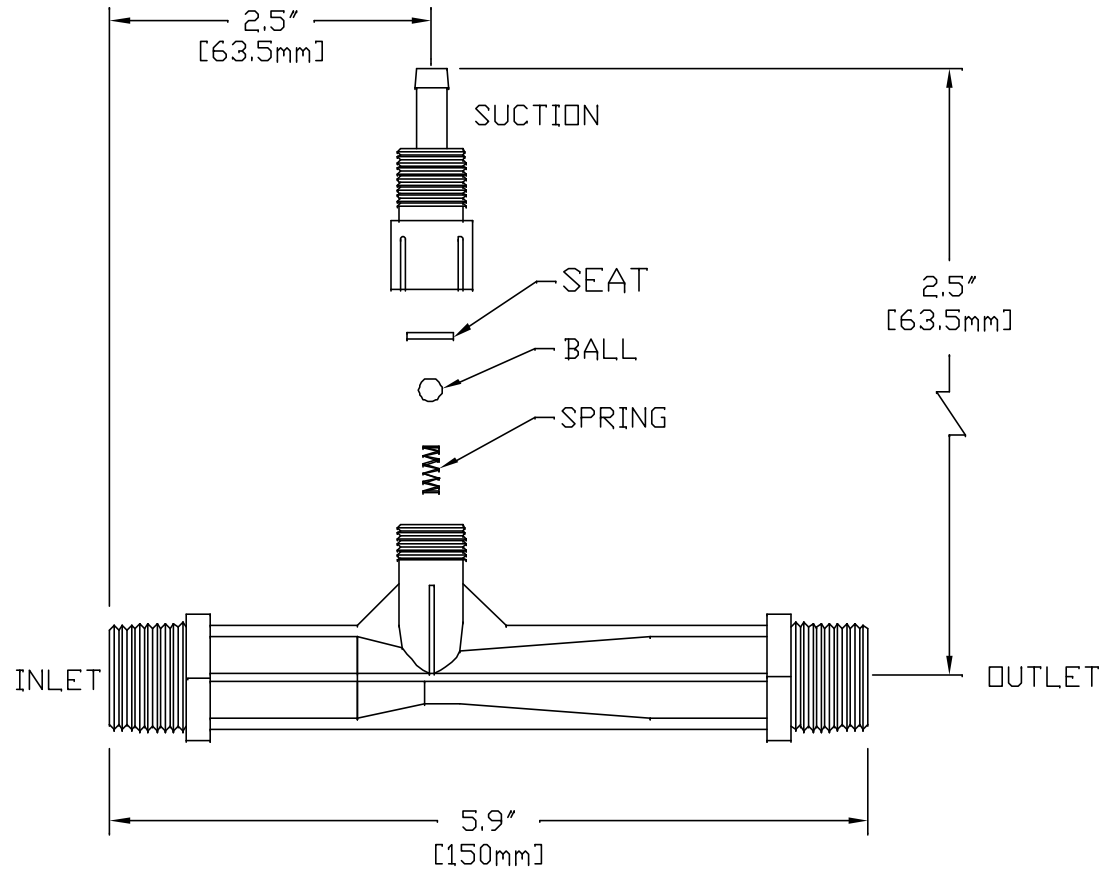
Covered By United States Patent No. 5,863,128
International Patents Pending

MLC
mazzei injector corporation
Bakersfield, California, USA

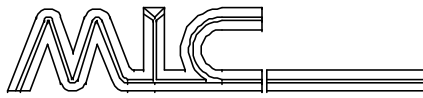
DATE	12-15-00	TITLE	
DRAWN BY	JRM	MODEL 584 INJECTOR	
REVIEWED BY	RST	NUMBER	REV.
SCALE	NONE	JRM-11	
MATERIALS: SEE NOTES		PAGE (1) OF (1)	

NOTES:

1. INLET & OUTLET: 1/2" MNPT
2. SUCTION PORT: 1/4" (ID) TUBING BARB SHANK OR 1/4" MNPT
3. MATERIAL OF CONSTRUCTION: GLASS REINFORCED POLYPROPYLENE OR PVDF (KYNAR)
4. MAXIMUM TEMPERATURE RATING:
 - POLYPROPYLENE: 150 F. (65.5 C.)
 - PVDF: 200 F. (93.3 C.)
5. MAXIMUM PRESSURE RATING AT 68 F. (20 C.)
 - POLYPROPYLENE: 150 PSIG (10.3 BAR)
 - PVDF: 200 PSIG (13.8 BAR)



Covered By United States Patent No. 5,863,128
International Patents Pending

 mazzei injector corporation Bakersfield, California, USA	DATE	12-14-00	TITLE			
	DRAWN BY	JRM	MODEL 584-C INJECTOR			
	REVIEWED BY	RST	NUMBER	JRM-9	SIZE	REV.
	SCALE	NONE				
MATERIALS: SEE NOTES				PAGE (1) OF (1)		

Mazzei Injector Corporation - Injector Performance Table							
Injector Model				584			
Operating Pressure PSIG		Water Suction		Operating Pressure PSIG		Water Suction	
Injector Inlet	Injector Outlet	Motive Flow GPM	Water Suction GPH	Injector Inlet	Injector Outlet	Motive Flow GPM	Water Suction GPH
5	0	2.1	29.2	60	0	7.2	26.4
	1		28.9		5		26.4
	2		28.5		10		26.4
	3		25.4		15		26.4
	4		10.0		20		26.2
10	0	3.0	28.3		30		25.4
	2		28.2		35		23.8
	5		27.5		40		20.1
	7		13.3		45		14.4
	8		11.0		70		0
15	0	3.6	28.2	5		25.9	
	5		27.9	10		25.9	
	7		28.0	15		25.9	
	10		14.0	20		25.9	
	12		11.0	30		25.7	
20	0	4.2	24.8	40		25.6	
	5		24.8	45		23.4	
	10		23.7	50		16.7	
	12		19.2	55		9.1	
	15		14.6	80	0	8.4	26.2
25	0	4.7	25.2		5		26.2
	5		25.2		10		26.2
	10		25.1		15		26.2
	15		20.8		20		26.3
	20		12.2		30		26.3
30	0	5.1	25.3		40		26.3
	5		25.4		50		25.0
	10		24.9		60		17.2
	15		25.2		65		7.9
	20		18.2	90	0	8.9	27.1
25	11.6	5	27.1				
35	0	5.5	25.5		10		27.1
	5		25.5		20		27.5
	10		25.4		30		27.3
	15		25.3		40		27.3
	20		21.9		50		27.3
40	25	16.5	60		24.4		
	0	5.9	25.6		70		13.2
	5		25.6		75		5.2
	10		25.6	100	0	9.3	28.8
	15		25.5		5		28.8
20	25.2		10		28.8		
25	21.3	20	29.2				
30	15.0	30	29.0				
45	0	6.3	25.9		40		28.9
	5		26.0		50		28.8
	10		26.0		60		28.4
	15		25.9		70		23.3
	20		25.7		80		16.9
	25		23.6	120	0	10.2	32.2
	30		19.4		5		32.2
35	13.5	10	32.2				
50	0	6.6	25.6		20		32.2
	5		25.6		30		32.2
	10		25.6		40		31.8
	15		25.5		50		31.8
	20		25.4		60		31.6
	25		24.5		70		31.6
	30		21.6		80		28.6
	35		15.8	90	17.2		
40	2.8	100	#DIV/0!				

Mazzei Injector Corporation - Injector Performance Table									
Injector Model				584					
Operating Pressure kg/cm2		Water Suction		Operating Pressure kg/cm2		Water Suction			
Injector Inlet	Injector Outlet	Motive Flow l/min	Water Suction LPH	Injector Inlet	Injector Outlet	Motive Flow l/min	Water Suction LPH		
0.35	0.00	7.9	110.5	4.22	0.00	27.4	100.1		
	0.07		109.4		0.35		100.1		
	0.14		107.8		0.70		99.9		
	0.21		96.1		1.05		99.9		
	0.28		37.8		1.41		99.2		
0.70	0.00	11.2	107.0				2.11		96.0
	0.14		106.7		2.46		90.3		
	0.35		103.9		2.81		76.1		
	0.49		50.3		3.16		54.5		
	0.56		41.6		4.92		0.00	29.6	97.9
1.05	0.00	13.7	106.6	0.35		97.9			
	0.35		105.8	0.70		98.1			
	0.49		106.1	1.05		98.1			
	0.70		52.9	1.41		97.9			
	0.84		41.8	2.11		97.3			
1.41	0.00	15.8	93.9	2.81		97.0			
	0.35		94.0	3.16		88.4			
	0.70		89.7	3.52		63.3			
	0.84		72.6	3.87		34.4			
	1.05		55.2	5.62	0.00	31.6	99.2		
1.76	0.00	17.7	95.3		0.35		99.2		
	0.35		95.4		0.70		99.2		
	0.70		95.1		1.05		99.2		
	1.05		78.9		1.41		99.6		
	1.41		46.1		2.11		99.4		
2.11	0.00	19.4	95.8		2.81		99.7		
	0.35		96.1		3.52		94.7		
	0.70		94.4		4.22		65.0		
	1.05		95.3		4.57		29.7		
	1.41		69.0	6.33	0.00	33.6	102.5		
	1.76		43.8		0.35		102.5		
2.46	0.00	20.9	96.7		0.70		102.5		
	0.35		96.7		1.41		104.0		
	0.70		96.2		2.11		103.1		
	1.05		95.6		2.81		103.2		
	1.41		83.0		3.52		103.2		
	1.76		62.5		4.22		92.4		
2.81	0.00	22.4	97.0		4.92		50.1		
	0.35		96.9		5.27		19.8		
	0.70		97.0	7.03	0.00	35.4	108.9		
	1.05		96.5		0.35		108.9		
	1.41		95.5		0.70		108.9		
	1.76		80.8		1.41		110.7		
2.11	57.0	2.11	109.9						
3.16	0.00	23.7	98.0		2.81		109.4		
	0.35		98.3		3.52		109.0		
	0.70		98.2		4.22		107.5		
	1.05		98.0		4.92		88.3		
	1.41		97.4		5.62		63.9		
	1.76		89.3	8.44	0.00	38.8	121.9		
	2.11		73.4		0.35		121.9		
2.46	51.2	0.70	121.9						
3.52	0.00	25.0	96.8		1.41		121.9		
	0.35		96.8		2.11		121.9		
	0.70		96.8		2.81		120.5		
	1.05		96.6		3.52		120.5		
	1.41		96.2		4.22		119.7		
	1.76		92.6		4.92		119.7		
	2.11		81.7		5.62		108.3		
	2.46		59.7	6.33	65.0				
2.81	10.8	7.03							

Mazzei Injector Corporation - Injector Performance Table							
Injector Model				584			
Operating Pressure kg/cm2		Water Suction		Operating Pressure kg/cm2		Water Suction	
Injector Inlet	Injector Outlet	Motive Flow l/min	Water Suction LPM	Injector Inlet	Injector Outlet	Motive Flow l/min	Water Suction LPM
0.35	0.00	7.9	1.84	4.22	0.00	27.4	1.67
	0.07		1.82		0.35		1.67
	0.14		1.80		0.70		1.67
	0.21		1.60		1.05		1.67
	0.28		0.63		1.41		1.65
0.70	0.00	11.2	1.78		2.11		1.60
	0.14		1.78		2.46		1.50
	0.35		1.73		2.81		1.27
	0.49		0.84		3.16		0.91
	0.56		0.69		4.92		0.00
1.05	0.00	13.7	1.78	0.35		1.63	
	0.35		1.76	0.70		1.64	
	0.49		1.77	1.05		1.64	
	0.70		0.88	1.41		1.63	
	0.84		0.70	2.11		1.62	
1.41	0.00	15.8	1.57	2.81		1.62	
	0.35		1.57	3.16		1.47	
	0.70		1.50	3.52		1.06	
	0.84		1.21	3.87		0.57	
	1.05		0.92	5.62	0.00	1.65	
1.76	0.00	17.7	1.59		0.35	1.65	
	0.35		1.59		0.70	1.65	
	0.70		1.59		1.05	1.65	
	1.05		1.31		1.41	1.66	
	1.41		0.77		2.11	1.66	
2.11	0.00	19.4	1.60		2.81	1.66	
	0.35		1.60		3.52	1.58	
	0.70		1.57		4.22	1.08	
	1.05		1.59		4.57	0.50	
	1.41		1.15	6.33	0.00	1.71	
	1.76		0.73		0.35	1.71	
2.46	0.00	20.9	1.61		0.70	1.71	
	0.35		1.61		1.41	1.73	
	0.70		1.60		2.11	1.72	
	1.05		1.59		2.81	1.72	
	1.41		1.38		3.52	1.72	
	1.76		1.04		4.22	1.54	
2.81	0.00	22.4	1.62		4.92	0.84	
	0.35		1.61		5.27	0.33	
	0.70		1.62	7.03	0.00	1.81	
	1.05		1.61		0.35	1.81	
	1.41		1.59		0.70	1.81	
	1.76		1.35		1.41	1.84	
2.11	0.95	2.11	1.83				
3.16	0.00	23.7	1.63		2.81	1.82	
	0.35		1.64		3.52	1.82	
	0.70		1.64		4.22	1.79	
	1.05		1.63		4.92	1.47	
	1.41		1.62		5.62	1.06	
	1.76		1.49	8.44	0.00	2.03	
	2.11		1.22		0.35	2.03	
2.46	0.85	0.70	2.03				
3.52	0.00	25.0	1.61		1.41	2.03	
	0.35		1.61		2.11	2.03	
	0.70		1.61		2.81	2.01	
	1.05		1.61		3.52	2.01	
	1.41		1.60		4.22	2.00	
	1.76		1.54		4.92	2.00	
	2.11		1.36		5.62	1.80	
	2.46		0.99	6.33	1.08		
2.81	0.18	7.03					

Mazzei Injector Corporation - Injector Performance Table							
Injector Model				584			
Operating Pressure PSIG		Air Suction		Operating Pressure PSIG		Air Suction	
Injector Inlet	Injector Outlet	Motive Flow GPM	Air Suction SCFH	Injector Inlet	Injector Outlet	Motive Flow GPM	Air Suction SCFH
5	0	2.0	8.8	60	0	6.9	36.2
	1		3.3		5		26.7
	2		1.3		10		21.1
	3		0.7		15		13.6
	4		0.3		20		10.0
10	0	2.8	14.6		30		5.7
	2		5.9		35		4.4
	5		1.7		40		2.9
	7		0.8		45		2.0
	8		0.5		70		0
15	0	3.5	17.4	5		28.8	
	5		4.6	10		23.6	
	7		2.7	15		17.2	
	10		1.0	20		12.8	
	12		0.5	30		8.1	
20	0	4.0	20.6	40		4.7	
	5		8.2	45		3.8	
	10		2.9	50		2.7	
	12		1.7	55		1.8	
	15		0.9	80	0	38.0	
25	0	4.5	23.2		5	31.1	
	5		10.6		10	26.3	
	10		4.8		15	22.0	
	15		2.0		20	16.0	
	20		0.7		30	10.4	
30	0	4.9	26.1		40	7.1	
	5		13.7		50	4.7	
	10		6.8		60	2.7	
	15		3.3		65	1.8	
	20		1.8	90	0	38.6	
	25		0.6		5	32.8	
35	0	5.3	28.4		10	28.9	
	5		18.6		20	19.8	
	10		9.4		30	13.0	
	15		5.3		40	8.8	
	20		2.8		50	5.9	
	25		1.7		60	3.9	
40	0	5.7	30.8		70	2.3	
	5		19.5		75	1.8	
	10		10.9	100	0	39.3	
	15		6.9		5	35.3	
	20		4.2		10	30.4	
	25		2.7		20	23.1	
30	1.5	30	14.4				
45	0	6.0	31.6		40	11.0	
	5		21.5		50	7.7	
	10		12.7		60	5.3	
	15		9.4		70	3.4	
	20		5.8		80	2.0	
	25		3.9	120	0	40.4	
	30		2.5		5	38.5	
35	1.4	10	33.5				
50	0	6.3	33.1		20	27.5	
	5		22.6		30	18.6	
	10		16.1		40	14.0	
	15		10.3		50	10.8	
	20		7.7		60	7.6	
	25		5.0		70	6.2	
	30		3.6		80	4.4	
	35		2.3	90	3.1		
40	1.4	100	1.9				

Mazzei Injector Corporation - Injector Performance Table							
Injector Model				584			
Operating Pressure kg/cm2		Air Suction		Operating Pressure kg/cm2		Air Suction	
Injector Inlet	Injector Outlet	Motive Flow l/min	Air Suction l/min	Injector Inlet	Injector Outlet	Motive Flow l/min	Air Suction l/min
0.35	0.00	7.6	4.2	4.22	0.00	26.3	17.1
	0.07		1.5		0.35		12.6
	0.14		0.6		0.70		10.0
	0.21		0.3		1.05		6.4
	0.28		0.1		1.41		4.7
0.70	0.00	10.7	6.9		2.11		2.7
	0.14		2.8		2.46		2.1
	0.35		0.8		2.81		1.4
	0.49		0.4		3.16		1.0
	0.56		0.2		0.00		17.3
1.05	0.00	13.1	8.2	0.35	13.6		
	0.35		2.2	0.70	11.1		
	0.49		1.3	1.05	8.1		
	0.70		0.5	1.41	6.0		
	0.84		0.2	2.11	3.8		
1.41	0.00	15.2	9.7	2.81	2.2		
	0.35		3.9	3.16	1.8		
	0.70		1.4	3.52	1.3		
	0.84		0.8	3.87	0.8		
	1.05		0.4	0.00	17.9		
1.76	0.00	17.0	10.9	0.35	14.7		
	0.35		5.0	0.70	12.4		
	0.70		2.3	1.05	10.4		
	1.05		0.9	1.41	7.6		
	1.41		0.4	2.11	4.9		
2.11	0.00	18.6	12.3	2.81	3.4		
	0.35		6.4	3.52	2.2		
	0.70		3.2	4.22	1.3		
	1.05		1.6	4.57	0.8		
	1.41		0.9	0.00	18.2		
	1.76		0.3	0.35	15.5		
2.46	0.00	20.1	13.4	0.70	13.6		
	0.35		8.8	1.41	9.3		
	0.70		4.4	2.11	6.1		
	1.05		2.5	2.81	4.2		
	1.41		1.3	3.52	2.8		
	1.76		0.8	4.22	1.8		
2.81	0.00	21.4	14.5	4.92	1.1		
	0.35		9.2	5.27	0.8		
	0.70		5.1	0.00	18.5		
	1.05		3.3	0.35	16.6		
	1.41		2.0	0.70	14.3		
	1.76		1.3	1.41	10.9		
3.16	2.11	22.7	0.7	2.11	6.8		
	0.00		14.9	2.81	5.2		
	0.35		10.2	3.52	3.6		
	0.70		6.0	4.22	2.5		
	1.05		4.4	4.92	1.6		
	1.41		2.7	5.62	1.0		
	1.76		1.9	0.00	19.0		
3.52	2.11	24.0	1.2	0.35	18.2		
	2.46		0.7	0.70	15.8		
	0.00		15.6	1.41	13.0		
	0.35		10.7	2.11	8.8		
	0.70		7.6	2.81	6.6		
	1.05		4.9	3.52	5.1		
	1.41		3.6	4.22	3.6		
	1.76		2.4	4.92	2.9		
	2.11		1.7	5.62	2.1		
2.46	1.1	6.33	1.5				
2.81	0.6	7.03	0.9				