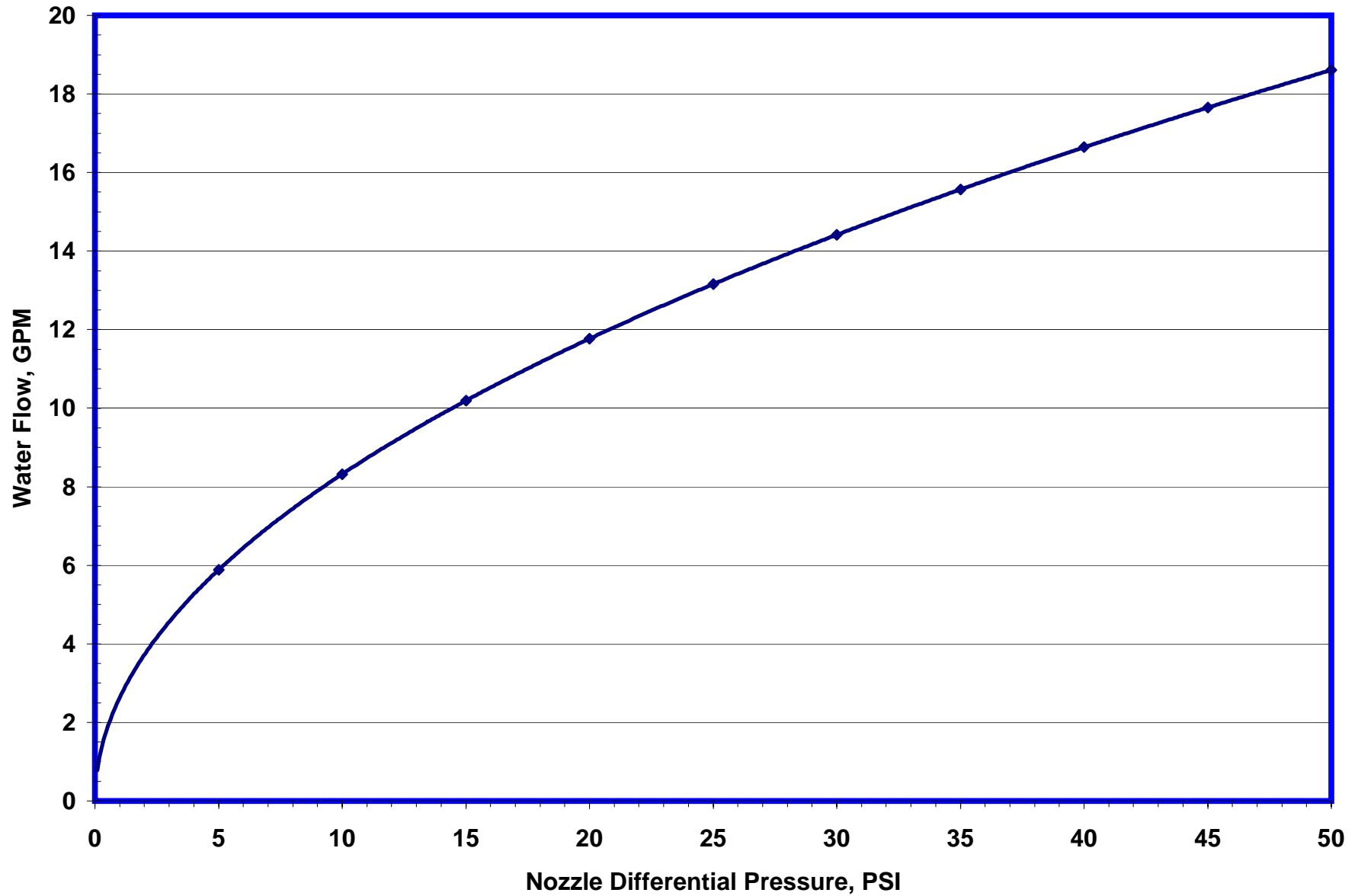
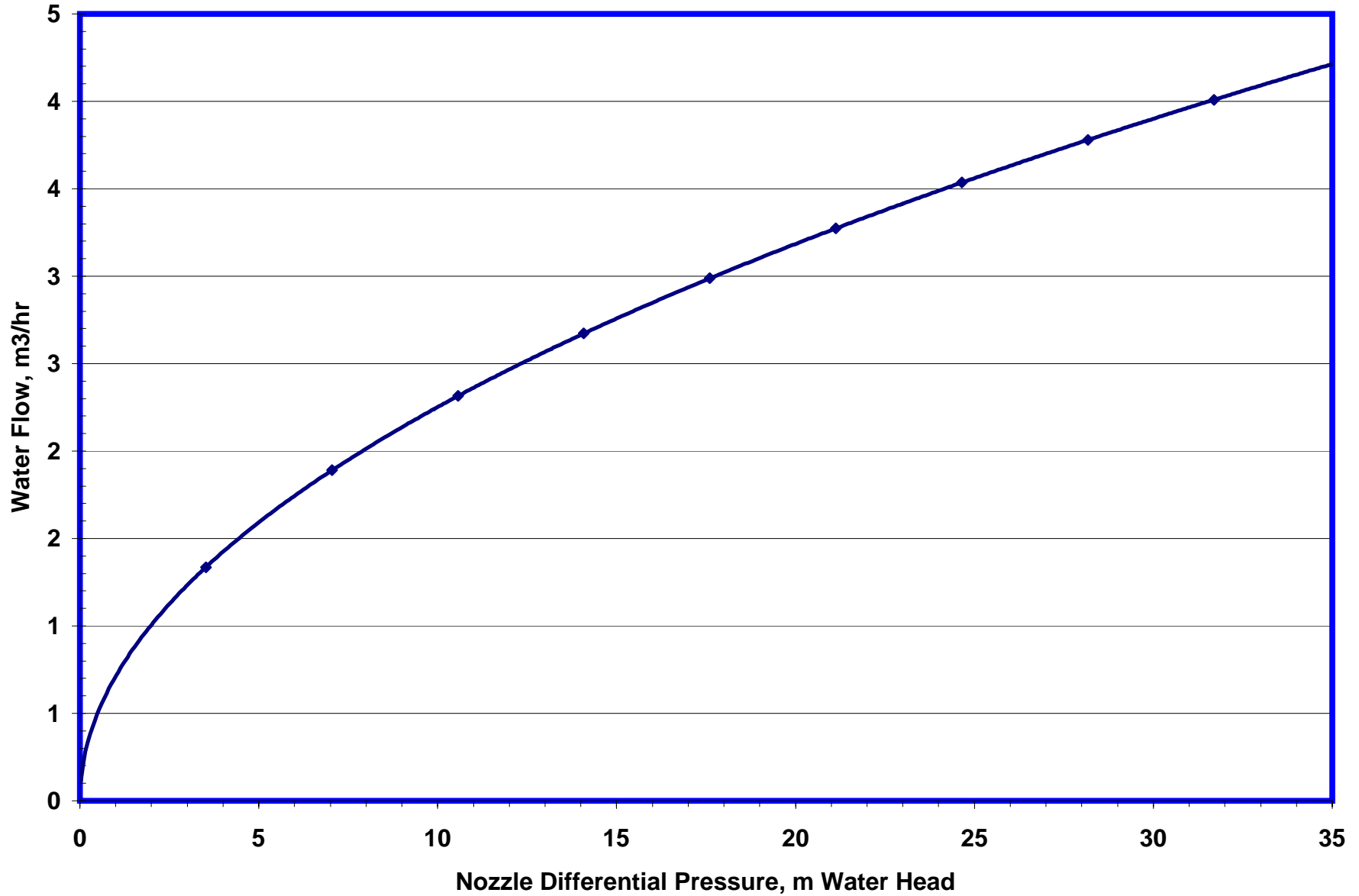


Mazzei Injector Corp Mass Transfer Multiplier Nozzle Sizing MTM #12

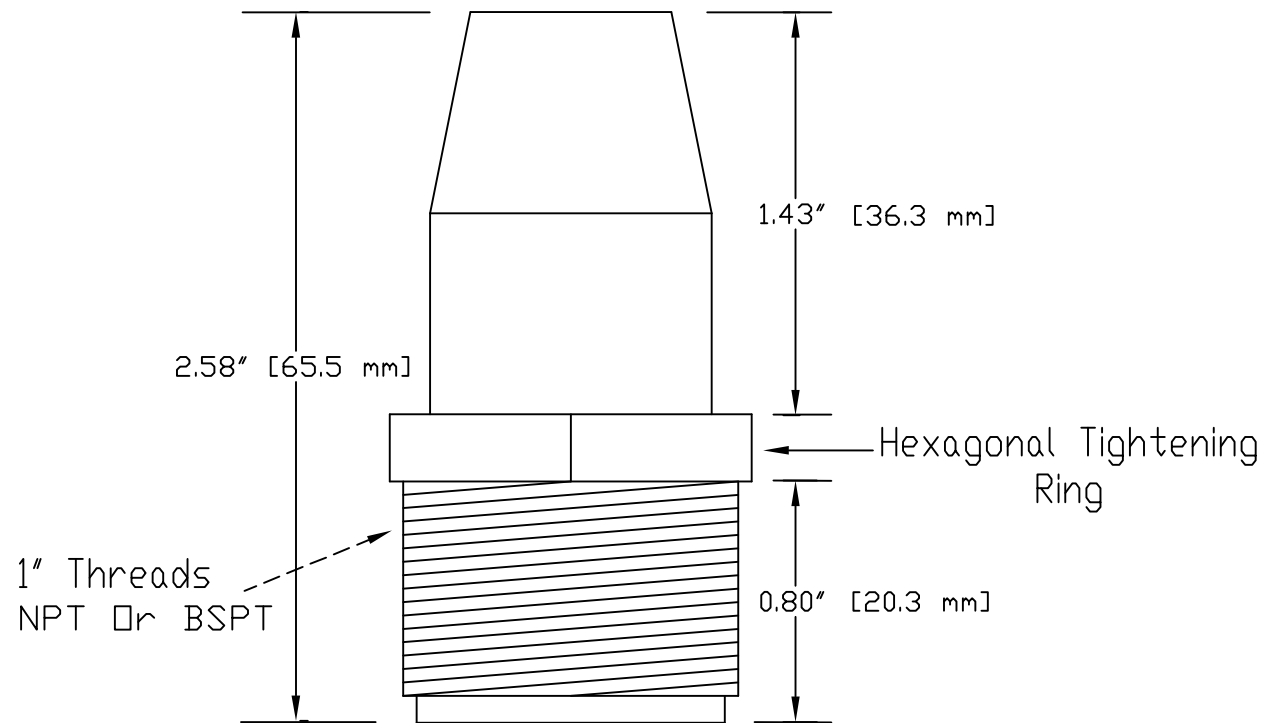


Mazzei Injector Corp Mass Transfer Multiplier Nozzle Sizing MTM #12




NOTES:

1. Nozzles are of one-piece construction and are made from PVDF (Kynar)
2. N12: 1" NPT threads
3. N12M: 1" BSPT (ISO-R) threads



N12 & N12M MIXING NOZZLES

Covered By United States Patent No. 5,894,995
International Patents Pending

 mazzei injector corporation Bakersfield, California, USA	DATE	8-20-02	TITLE		N12/N12M SINGLE THREAD MIXING NOZZLES	
	DRAWN BY	JRM	NUMBER		JRM-195	
	REVIEWED BY		SCALE	NONE	SIZE	REV.
	MATERIALS: SEE NOTES				PAGE (1) OF (1)	