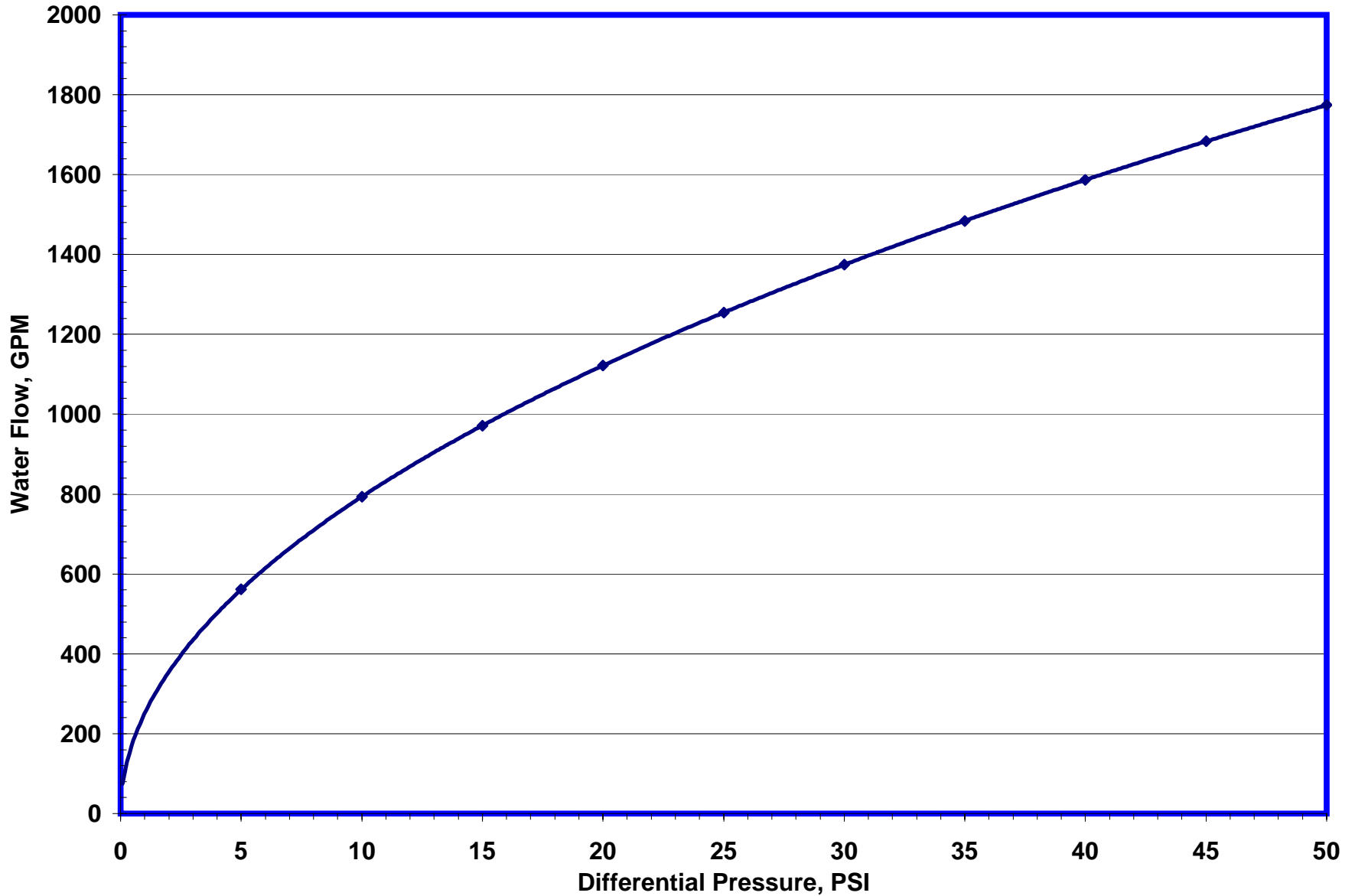
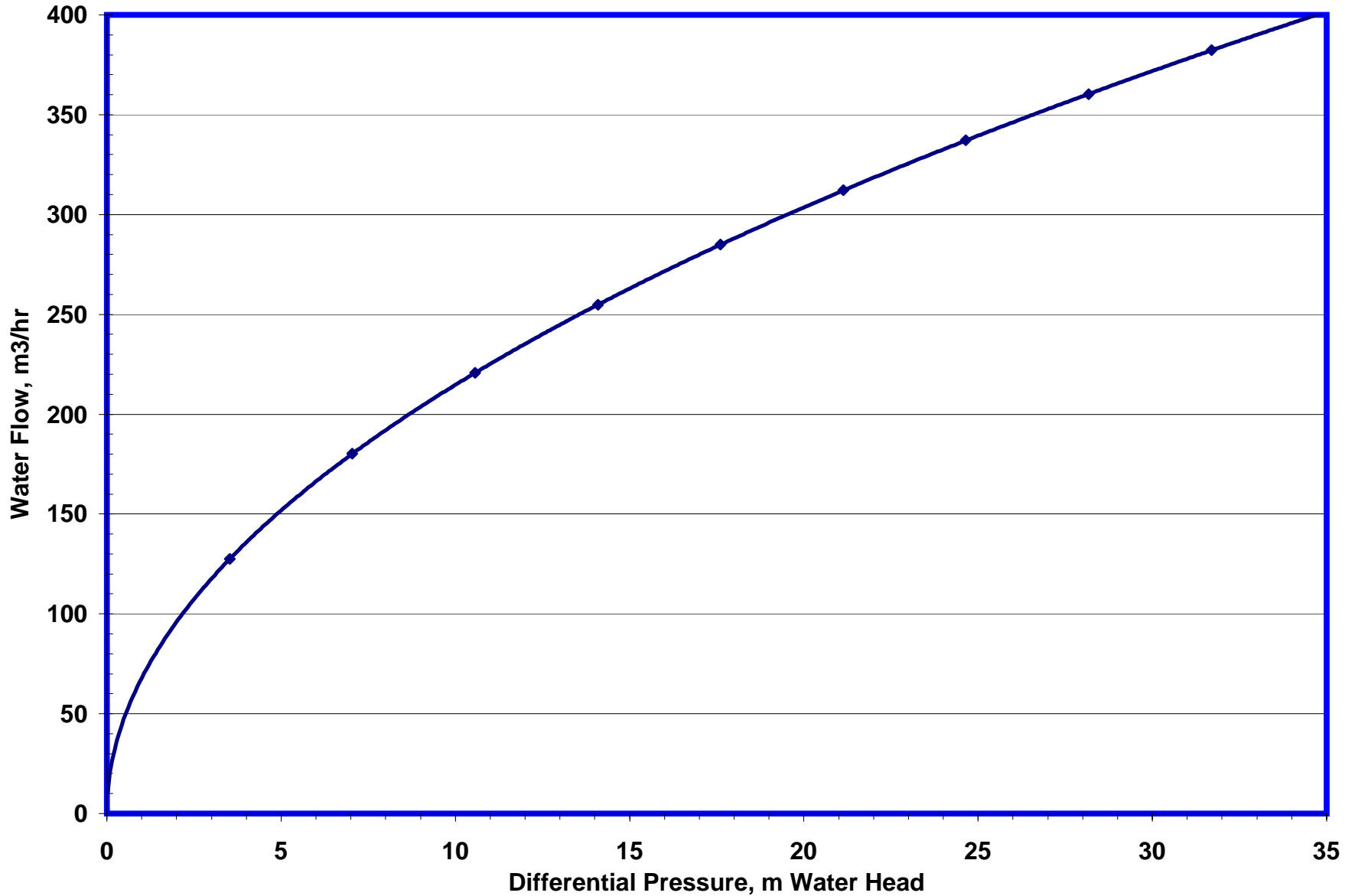


Mazzei Injector Corp Mass Transfer Multiplier Nozzle Sizing MTM #60

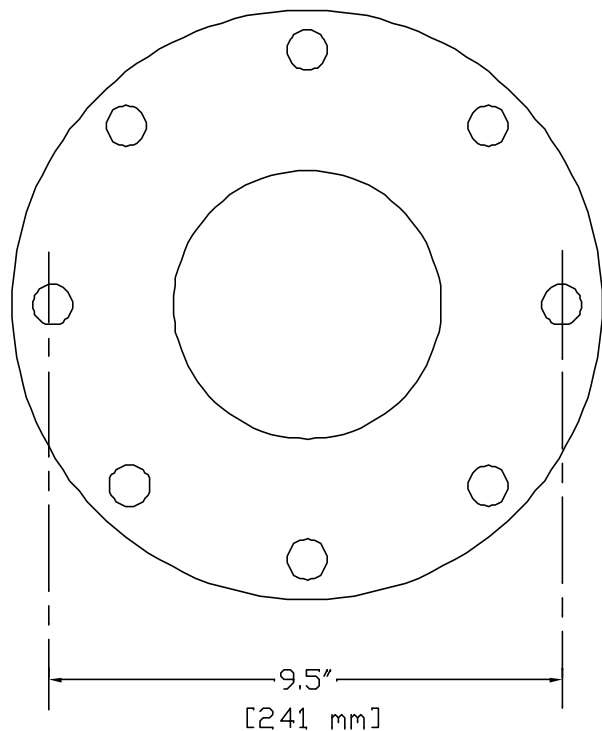


Mazzei Injector Corp Mass Transfer Multiplier Nozzle Sizing MTM #60

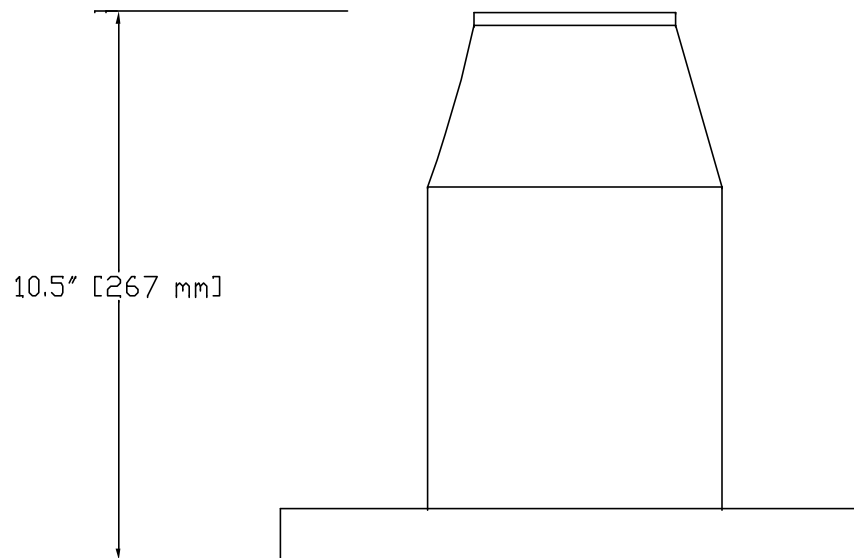


NOTES:

1. NOZZLES ARE OF ONE-PIECE CONSTRUCTION
2. MADE FROM PVDF (KYNAR)
3. BOLT PATTERN SIZED TO FIT BOTH US AND METRIC FLANGE SPECIFICATIONS
4. BOLT HOLES: EIGHT (8) - 3/4"

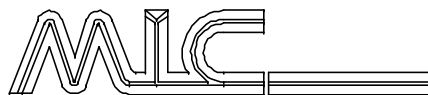


BOTTOM VIEW



SIDE VIEW

Covered By United States Patent No. 5,894,995
International Patents Pending



mazzei injector corporation
Bakersfield, California, USA

| | | | |
|----------------------|--------|----------------------|------|
| DATE | 1-5-01 | TITLE | |
| DRAWN BY | JRM | MODEL N60 MTM NOZZLE | |
| REVIEWED BY | RST | NUMBER | SIZE |
| SCALE | NONE | JRM-37 | REV. |
| MATERIALS: SEE NOTES | | PAGE (1) OF (1) | |